



Kin AIC6 Slim

Attack from a different angle

This speaker possesses all the technical and design features of the KIN Slim IC series, and the signature performance characteristics of all Totem speakers. But, it's quite unique, and is yet another ingenious audio solution.

When light fixtures, heating or cooling vents, and all other potential obstructions prohibit perfect placement within a ceiling, the AIC 6 Slim will overcome the issues. The angled baffle directs the sound towards the listening area so no matter how imperfect it's location, the performance is flawless.

Discover your Kin Architectural and expand your musical experiences.

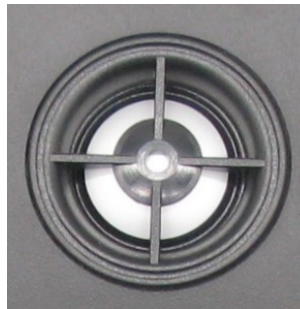


KIN IC Slim is 25% shallower than KIN IC



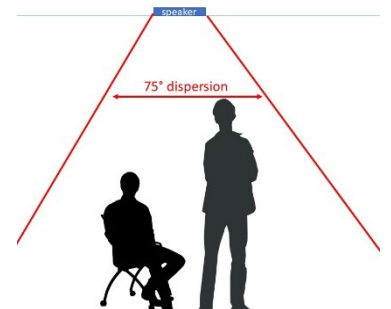
Carbon Fiber Woofers

The pure polymer impregnated carbon weave is very stiff and light for fast, dynamic bass. Coupled to a high compliance rubber suspension, the cone motion is controlled for the best possible transient response and clarity.



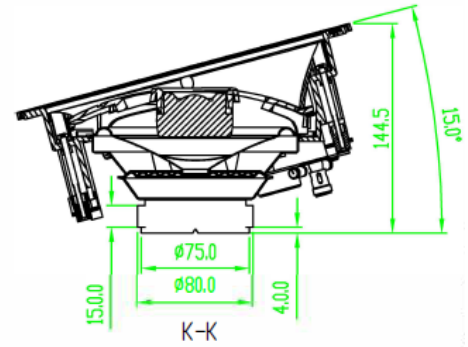
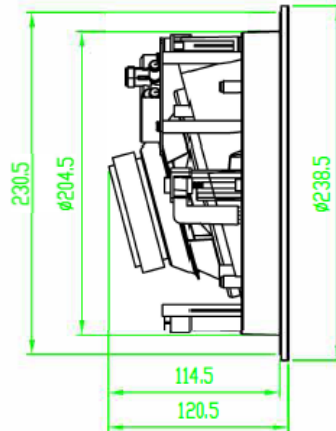
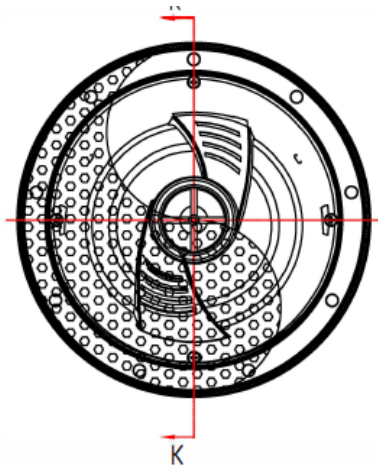
Ceramic Dome Tweeters

Tremendous stiffness and damping characteristics with resonances past our hearing ability so sound is natural, clear, and distortion-free. Resistant to moisture and extreme temperatures, making the speakers suitable to almost any application.



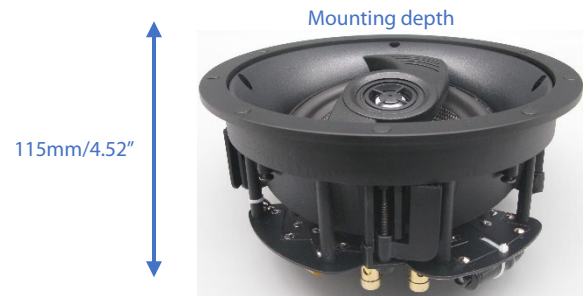
Enormous Dispersion

KIN IC Slim disperse at 75 degrees, almost twice as broadly as competitive speakers. Acoustic coverage is totally present throughout the entire listening area. The enormous dispersion allows the listener to enjoy the same sound whether seated or standing, simplifying placement.



Specifications

Model:	KIN AIC6 Slim
Design:	Slim Angled 6" In-Ceiling
Frequency Response:	60 Hz - 25 kHz ± 3 dB
Recommended Power:	10-100 W
Woofers:	6" Carbon Fiber
Tweeter:	.75" Ceramic dome
Impedance:	8 ohm
Sensitivity dB @1W-1M	90dB
Dimensions, Diameter x Depth	
With Grille:	239 x 121mm / 9.37 x 4.76"
Without Grille:	230 x 120mm / 8.99 x 4.72"
Mounting Depth:	115mm / 4.52"
Weight:	1.4kg, 3.1lb
Cutout:	206mm / 8.11"
Grille type:	Magnetic, paintable, virtually bezel-less white metal
Accessories/Options:	Pre-construction brackets, square grilles
Speaker Terminals:	Spring loaded Gold Plated



Mounting depth

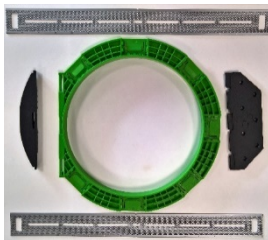
115mm/4.52"

Cutout diameter



206mm/8.11"

Accessories



PCK6 Color Coded Pre-Construction Kit

Include joist brackets for perfectly lined installations and multiple points to connect the wings to guarantee contact with drywall.



SGK6 Square Grille Kit

Permits cosmetic finishing touches to match fixtures, HVAC accessories, and suit personal design tastes.